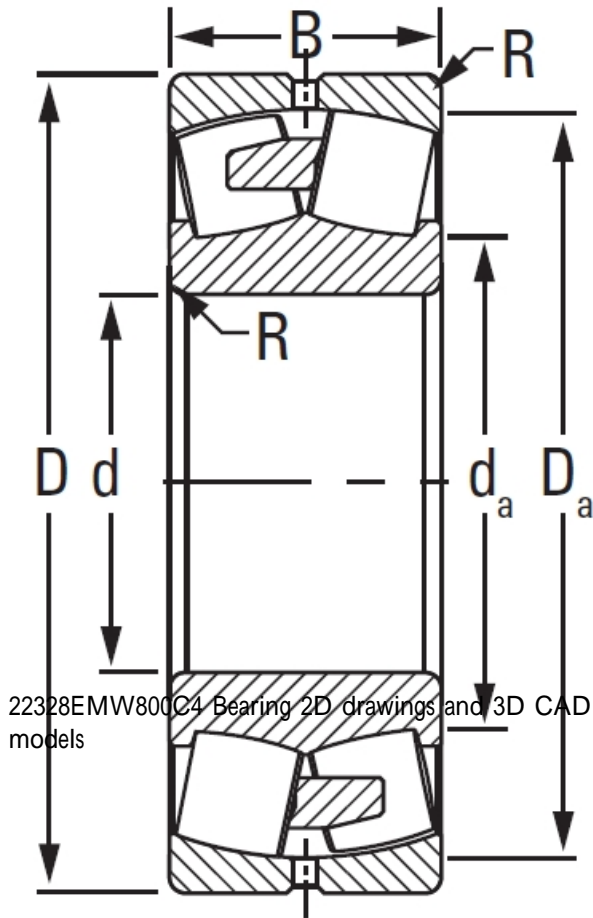




Precision Bearing Industry Co., Ltd.

TIMKEN 22328EMW800C4 Bearing

Bearing No. 22328EMW800C4



22328EMW800C4 Bearing 2D drawings and 3D CAD models

Design Unit	METRIC
Bearing Weight	34.200 Kg
Cage Type	EM
UPC Code	087796074576
Cage Material	Brass
Superseded Part	22328YMW800C4
d	140 mm
D	299.989 mm
B - Inner Ring Width	102 mm
B - Outer Ring Width	102.000 mm
R - Inner Ring To Clear Radius ¹	3.0 mm
r - Outer Ring To Clear Radius ²	3.0 mm
da - Inner Ring Backing Diameter	182.000 mm
Da - Outer Ring Backing Diameter	270.000 mm
C0 - Static Radial Rating	1670000 N
C1(2) - Dynamic Radial Rating (Two-Rows)	1450000 N
e - ISO Factor ³	0.33
Y0 - ISO Factor ⁴	2.06
Y1 - ISO Factor ⁵	3.06
Y2 - ISO Factor ⁶	2.01
Reference Thermal Speed Rating (Grease)	1600
Reference Thermal Speed	1800



Precision Bearing Industry Co., Ltd.

Rating (Oil) ⁷	
Cg - Geometry Factor ⁸	0.0914