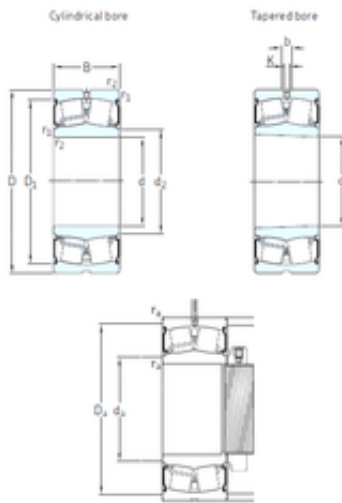




Precision Bearing Industry Co., Ltd.



SKF Bearing BS2-2205-2CS/Vt143
 BS2-2206-2CS/Vt143 BS2-2207-2CS/Vt143
 BS2-2208-2CS/Vt143 BS2-2308-2CS/Vt143
 BS2-2209-2CS/Vt143 BS2-2309-2CS/Vt143

Bearing No. BS2-2205-2CS/Vt143

Size	25x52x23 mm
Bore Diameter	25 mm
Outer Diameter	52 mm
Width	23 mm
d	25 mm
D	52 mm
B	23 mm
C	23 mm
b	3,7 mm
d2	30 mm
r1 min.	1 mm
r2 min.	1 mm
D1	46,6 mm
K	2 mm
da min.	30 mm
da max	30 mm
Da max.	46,4 mm
ra max.	1 mm
Weight	0,26 Kg
Basic dynamic load rating (C)	49 kN
Basic static load rating (C0)	44 kN
Fatigue load limit (Pu)	4,75
Limiting speed	3600 r/min

BS2-2205-2CS/Vt143 Bearing 2D drawings and 3D CAD models



Precision Bearing Industry Co., Ltd.

Calculation factor (e)	0,35
Calculation factor (Y0)	1,8
Calculation factor (Y1)	1,9